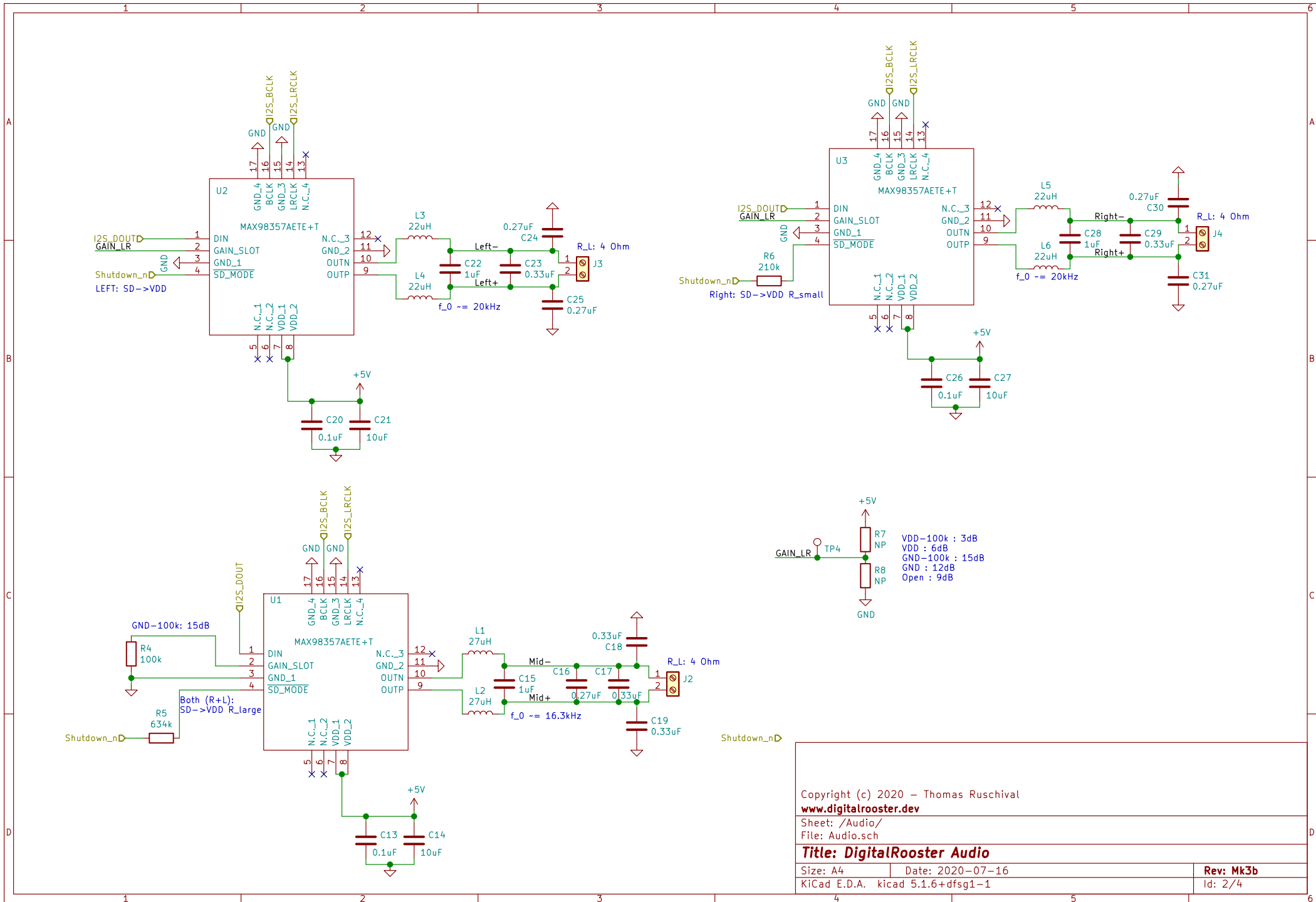


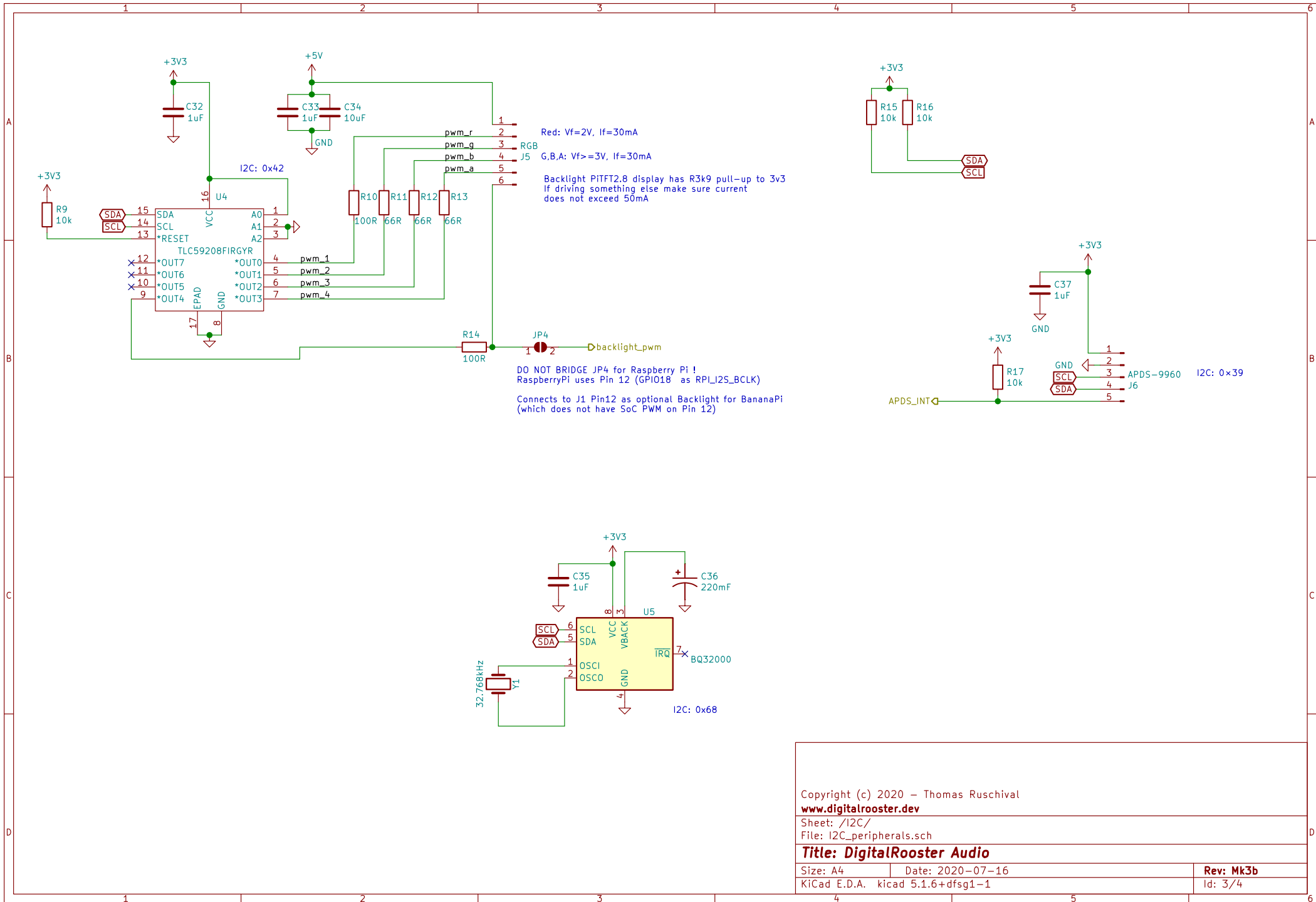
Copyright (c) 2020 – Thomas Ruschival
www.digitalrooster.dev

Sheet: /
 File: AudioBoard.sch

Title: DigitalRooster Audio

Size: A4	Date: 2020-07-16	Rev: Mk3b
KiCad E.D.A. kicad 5.1.6+dfsg1-1		Id: 1/4





Copyright (c) 2020 – Thomas Ruschival
www.digitalrooster.dev

Sheet: /I2C/
 File: I2C_peripherals.sch

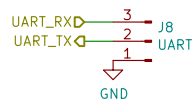
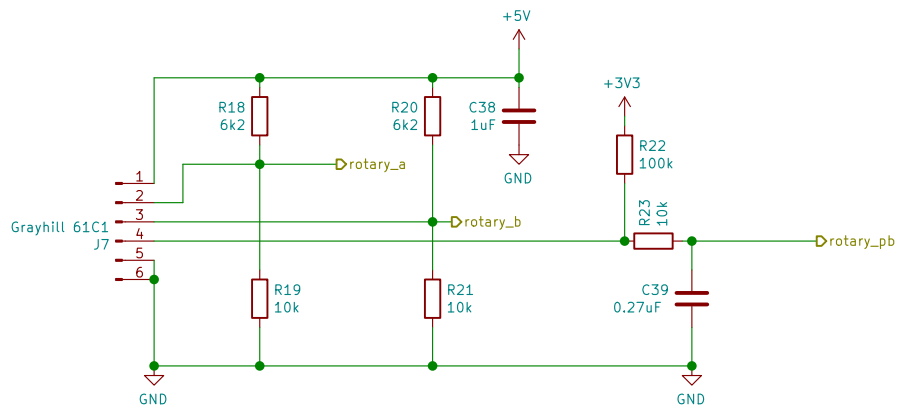
Title: DigitalRooster Audio

Size: A4 Date: 2020-07-16

KiCad E.D.A. kicad 5.1.6+dfsg1-1

Rev: Mk3b

Id: 3/4



Copyright (c) 2020 – Thomas Ruschival
www.digitalrooster.dev

Sheet: /GPIO/
 File: IO_expansion.sch

Title: DigitalRooster Audio

Size: A4 Date: 2020-07-16

Rev: **Mk3b**

KiCad E.D.A. kicad 5.1.6+dfsg1-1

Id: 4/4